

FLOJET®

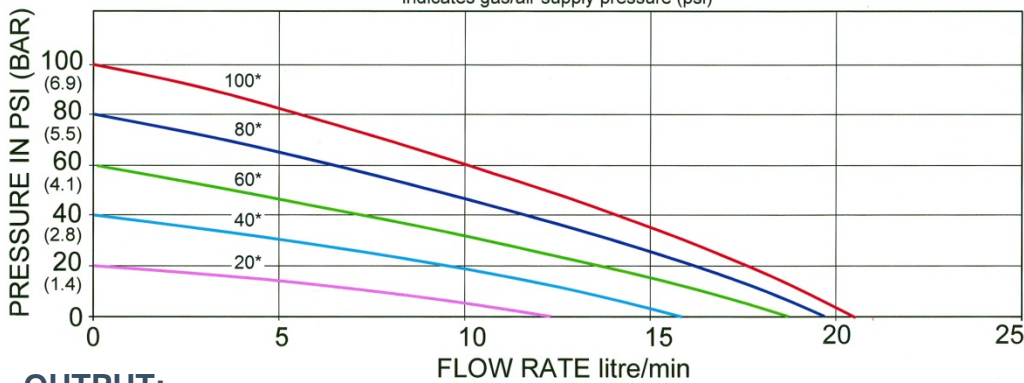
G70K^{ATEX} SERIES

Air Operated Diaphragm Pump

- ◆ Capable of Air or CO₂ drive pressures up to 100PSI (6.9bar)
- ◆ Run dry capability
- ◆ Fluid temperature range up to 49°C (120°F)
- ◆ Patented Shuttle Valve, eliminates stalling
- ◆ Capable of passing solids up to 3.2mm in diameter.
- ◆ Corrosion resistant materials capable of handling a wide range of chemicals
- ◆ Other elastomers available
- ◆ Ease of Installation with all quick disconnect ports



Working position



OUTPUT:

Self primes up to 4.5m
Flow rates up to 21 litres/minute (4.6 gallons/minute).

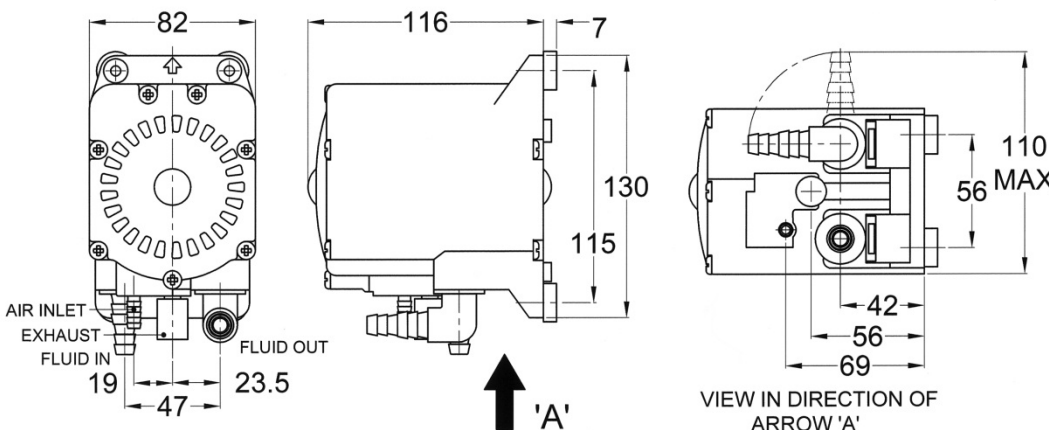
MATERIALS OF CONSTRUCTION:

Pump head: Polypropylene
Springs: Hastelloy®
Check valve seals: Viton Extreme®, Pistons: Nylon
Diaphragm: Kalrez® (*Kalrez is not suitable for Halogenated Solvents*)

MODEL	AIR/GAS INLET PORT:	LIQUID PORTS
G70K162A	6mm (1/4" hose)	1 x 9 - 13mm (3/8 - 1/2") 90° hose barb & 1 x 9 - 13mm (3/8 - 1/2") straight hose barb
G70K202A	6mm (1/4" hose)	2 x 9 - 13mm (3/8 - 1/2") straight hose barb

ATEX In compliance with 94/9/CEE standards
II 2G c IIB TX

WEIGHT: 0.54 Kg



Xylem Water Solutions UK Ltd
Bingley Road
Hoddesdon
Hertfordshire • EN11 0BU • UK
Telephone: +44 (0)1462 480380
Fax: +44 (0)1462 482422
mail@cleghorn.co.uk
www.jabscoshop.com

xylem
Let's Solve Water

Doc1000/1